

AVIZHEH SANAT

WATER JET AND PLASMA SOLUTIONS

BHDT Wearing Parts Order Guide

ADD: unit 6, 3rd floor, allameh jonoubi, sa'adat abad, Tehran, Iran

Tel: 98 21 88688410

Fax: 98 21 88688409

1. Wearing Parts:

Following list gives an outlook on estimated life time of components.
The indicated life time in hours is the expected value based on medium flow rate and operating pressures between 300 and 350 Mpa, and switching time of about 5 on/off cycles per minute.



1.1 Wearing Parts For Intensifier CP022065/075 : "Diagram 1"

item	Description	Part Number	Hours	Price €/ Pc.	Required Quantity			Order Quantity	Price €/total
					Best	Recommended	minimum		
5	plunger complete	CP022066/220	3000		1	0	0		0
3	Piston sealing	XK121/220			1	1	0		0
25	HP- cylinder	CP022009/591	2000		2	0	0		0
11	Rod wear ring	XF29/221			2	2	0		0
26	Bearing bush	CP022010/527	800		6	4	2		0
27	sealing	CP022011/150	800		6	4	2		0
29	Quadring	9704521/220	800		6	4	2		0
28	back ring	CP022012/591	800		6	4	2		0
32	back ring	CP022015/527	2000		4	2	0		0
10	Rod sealing	XST17/220	1500		4	2	2		0
33	Rod wear ring	XF35/220			2	2	0		0

ADD: unit 6, 3rd floor, allameh jonoubi, sa'adat abad, Tehran, Iran

Tel: 98 21 88688410

Fax: 98 21 88688409

1.2 Wearing Parts For check valves: "Diagram 2"

item	Description	Part Number	Hours	Price €/ Pc.	Required Quantity			Order Quantity	Price €/total
					Best	Recommended	minimum		
5	Ball dia 6	K016/660	1000		8	4	2		0
6	Spring	XF97/220	1000		8	4	2		0
2	Valve seat	CP022046/593	1000		8	4	2		0
3	Lens	CP022042/593	1500		4	2	0		0



1.3 Wearing Parts for Pressure Release Valve WJ055020/591: "Diagram 3"

item	Description	Part Number	Hours	Price €/ Pc.	Required Quantity			Order Quantity	Price €/total
					Best	Recommended	minimum		
2	Valve seat	WJ055003/168	4000		1	1	0		0
3	valve stem	WJ070005/551	2000		2	1	0		0
4	HP-gasket	WJ070009/150	2000		2	1	0		0
5	O-ring 4.3 x 2.4	OR0043024/151	2000		2	1	0		0
11	O-ring 49 x 3	OR0490030/151	3000		3	0	0		0
12	Back ring	XS92/089	3000		1	0	0		0



1.4 Wearing Parts for Waterjet Valve WJ070060/591: "Diagram 4"

				Price €/ Pc.	Required Quantity			Order Quantity	Price €/total	Description
					Best	Recommended	minimum			
1	Valve body	WJ070061/591			1	0	0		0	
18	Valve seat	WJ070003/168	600		2	1	0		0	
17	Valve stem	WJ070005/551	300		4	3	2		0	
13	HP-gasket	WJ070009/150	300		4	3	2		0	
14	O-ring 4,3 x 2,4	OR0043024/151	300		4	3	2		0	
8	Collimation tube	WJ070068/593	4000		1	0	0		0	
21	Disk spring	560285150/255	2000		7	0	0		0	
12	O-Ring 70x2	OR0700020/151			1	1	0		0	
15	O-Ring 14x2	OR0140020/151			2	1	0		0	

1.5 Wearing Parts for Abrasive Head TJ006070/591 "Diagram 5"

item	Description	Part Number	Hours	Price €/ Pc.	Required Quantity			Order Quantity	Price €/total
					Best	Recommended	minimum		
	Abrasive Head	TJ006070/591	2000		1	0	0		0
4	Adjusting nut	TJ006016/133	1500		2	0	0		0
5	Collet	TJ006017/256	1500		2	0	0		0
8	Bushing	TJ006071/555	500		3	2	1		0
3	sealing ring NS12	DR012001/220			3	2	0		0
6	sealing ring NS6	DR006001/220			3	2	1		0
7	sealing ring NS14	DR014001/220			3	2	0		0

ADD: unit 6, 3rd floor, allameh jonoubi, sa'adat abad, Tehran, Iran

Tel: 98 21 88688410

Fax: 98 21 88688409

1.5 Focusing Tube & Orifice:

item	Description	Part Number	Hours	Price €/ Pc.	Required Quantity			Order Quantity	Price €/total
					Best	Recommended	minimum		
	Focusing tube 1mm		100		10	5	3		0
	Focusing tube 0.8mm		100		0	0	0		0
	orifice 0.25mm	XD25/220	50		0	0	0		0
	orifice 0.35mm	XD37/220	50		25	12	5		0
	Diamond orifice 0.35mm	XDD3590/220	1000		1	0	0		0

1.6 Wearing Parts For Water filters:

	Description	Part Number	Hours	Price €/ Pc.	Required Quantity			Order Quantity	Price €/total
					Best	Recommended	minimum		
	Filter elem. 1.2 µm				4	2	1		0
	Filter elem. 5 µm				4	2	1		0

1.7 Wearing Parts For Hydraulic Unit :

item	Description	Part Number	Hours	Price €/ Pc.	Required Quantity			Order Quantity	Price €/total
					Best	Recommended	minimum		
	Oil filter elem.10	XF61/220	1000		1	1	0		0

Note: you can place online order via SigmaCut website: www.sigmacut.com/part.php

* The Life time values are approximately and should be used only for estimating, all this value could be extremely change.

ADD: unit 6, 3rd floor, allameh jonoubi, sa'adat abad, Tehran, Iran

Tel: 98 21 88688410

Fax: 98 21 88688409

Appendix “A”

Spare Parts Drawings

1. Intensifier:

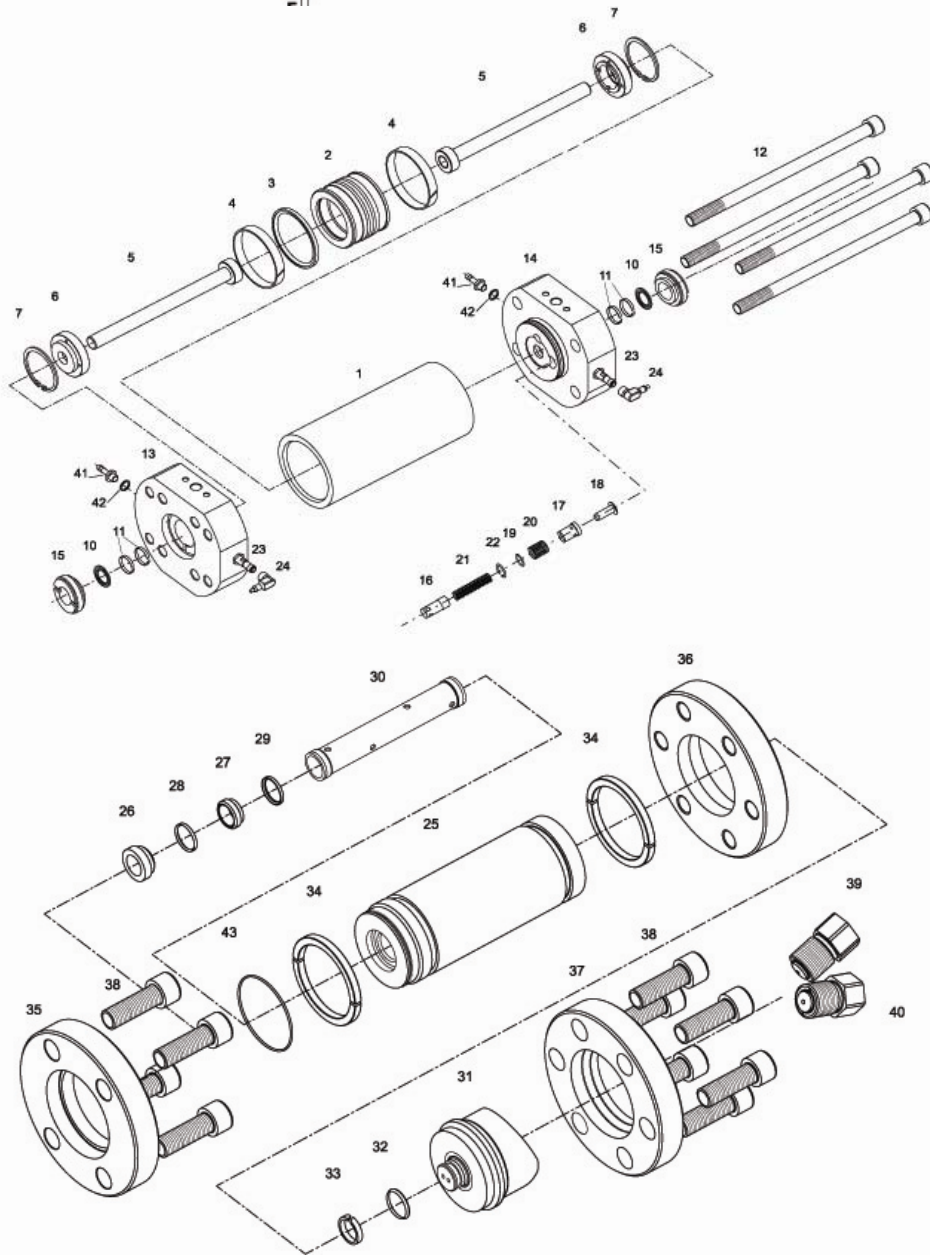
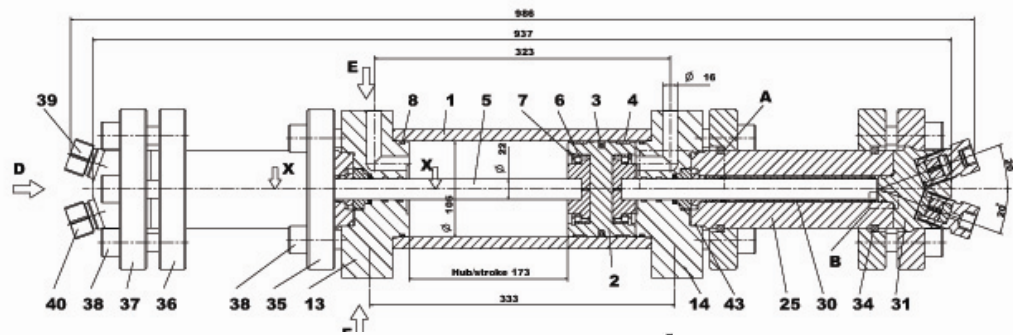


Diagram 1

2. Suction and Pressure Valves:

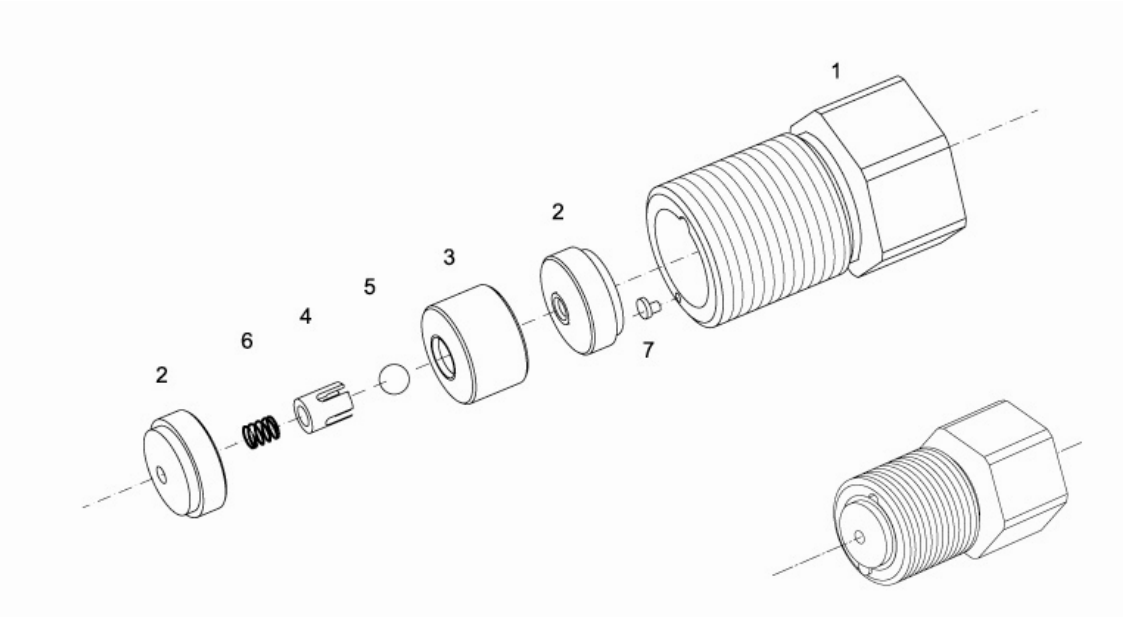
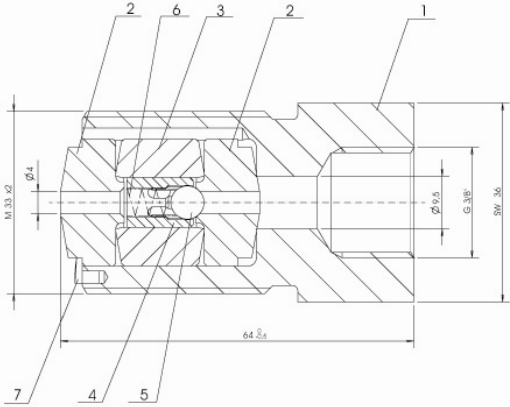
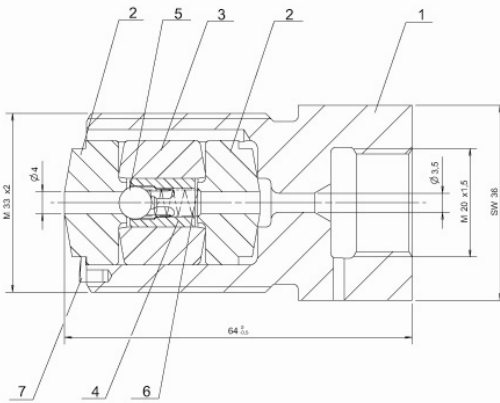


Diagram 2

3. Pressure Release Valve:

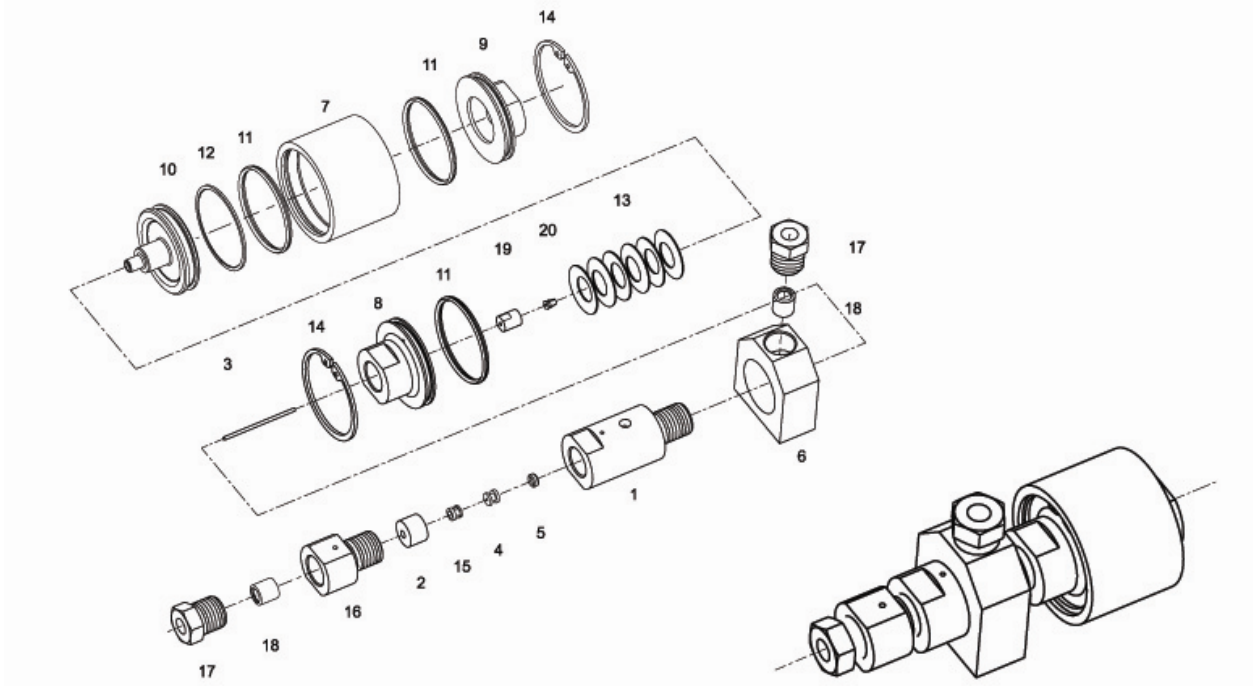
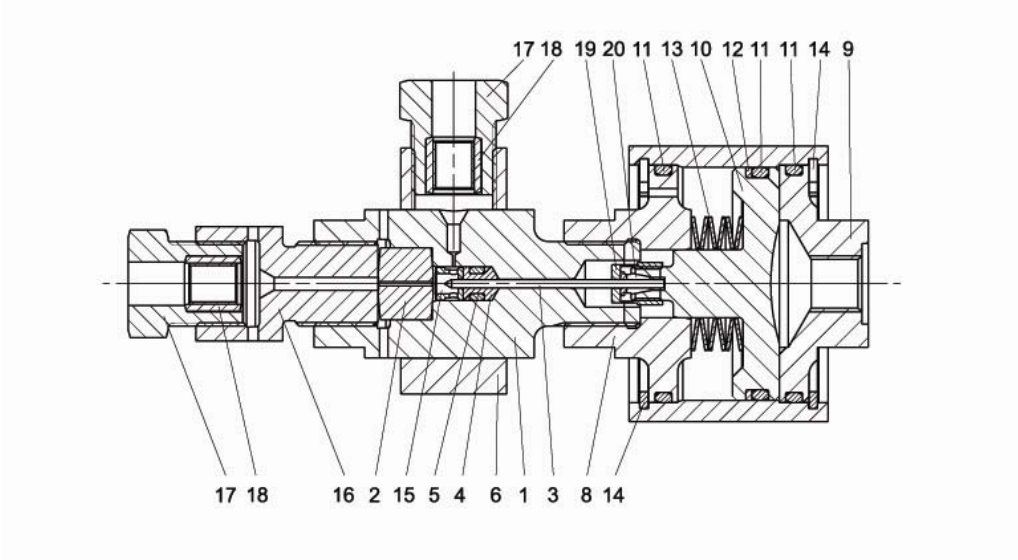


Diagram 3

4. Cutting Head:

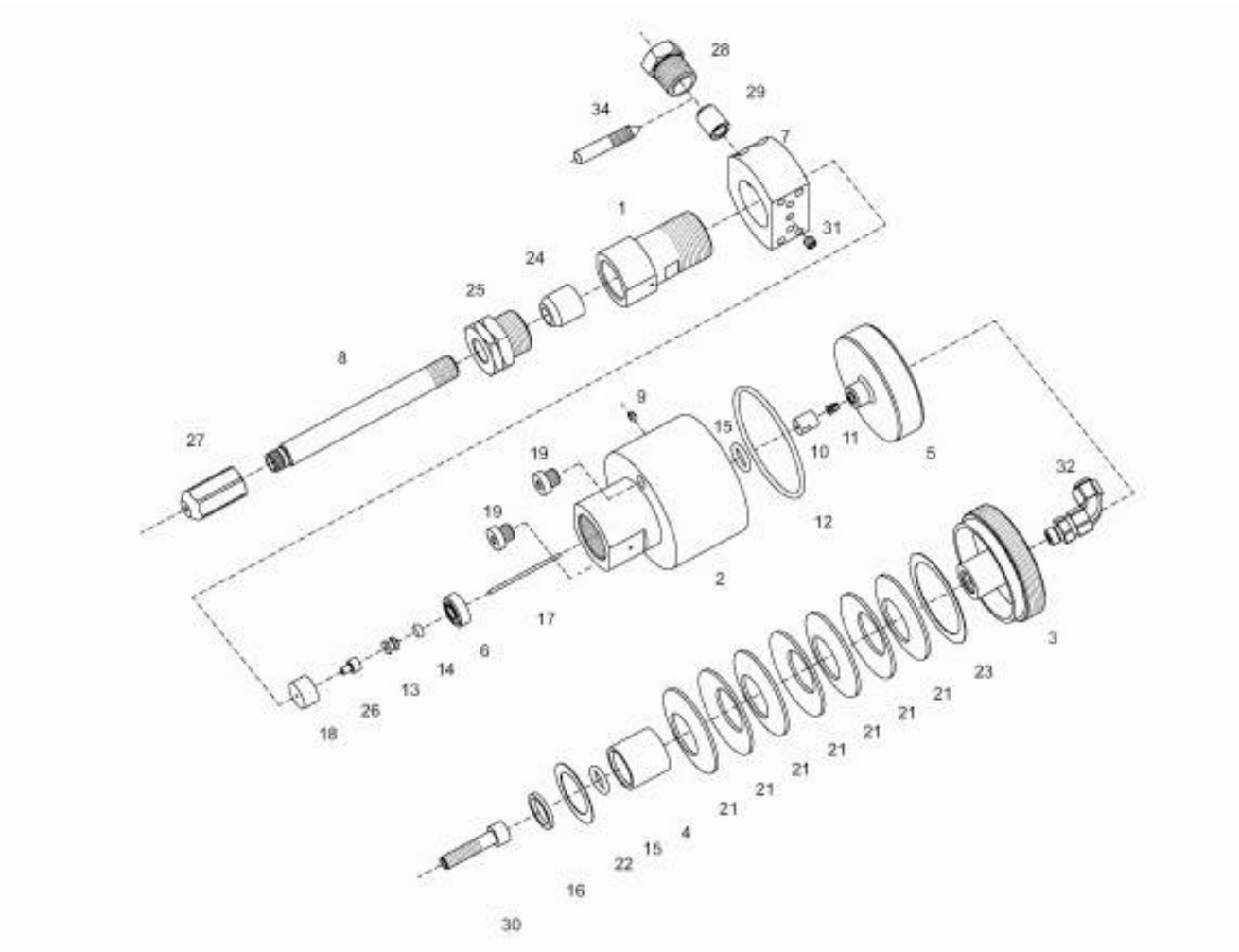
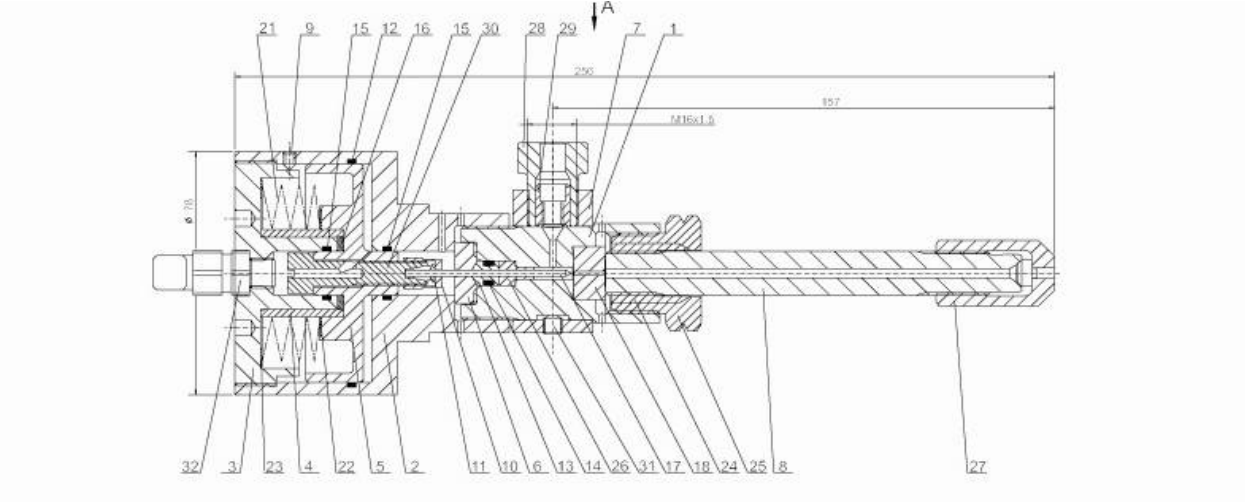


Diagram 4

5. Abrasive Head:

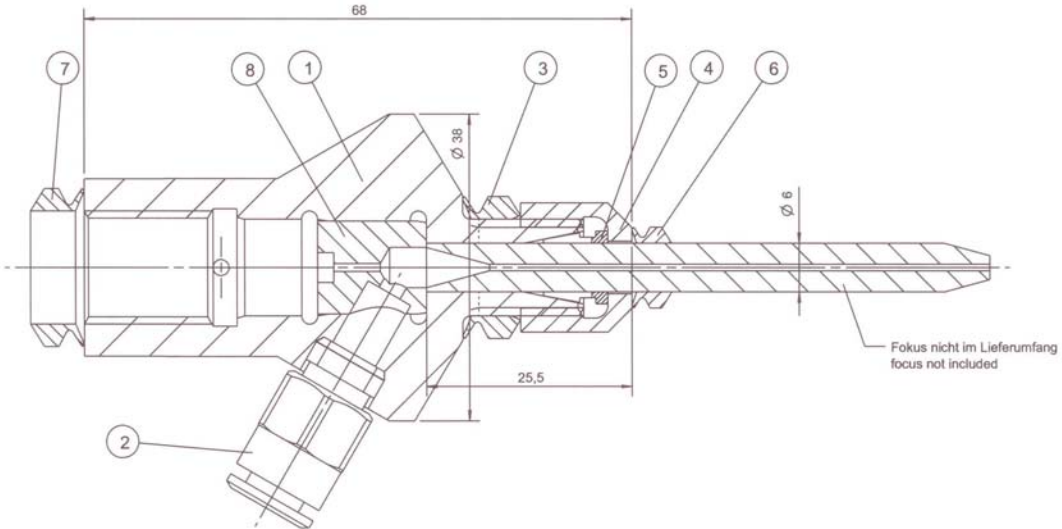


Diagram 5